

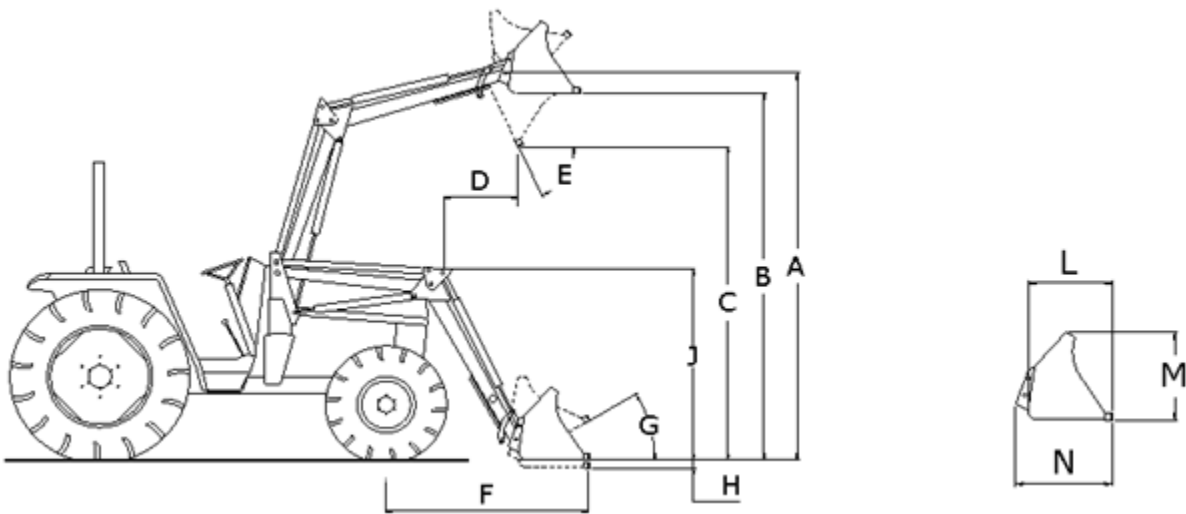
FRONT END LOADERS



KL901

✳ Specifications may vary with tractor model, front axle configurations, tire size option and type of attachment, and are subject to change without notification.

STANDARD FEATURE



SPECIFICATIONS

MODEL	KL901	
Tire spec	Front tire : 12.4x24	Rear tire : 18.4x34
Counter Ballast (At 610mm from end of Lower-link)	691 lbs	
▶A - Maximum Lift Height	3,595 mm	141.54 "
▶B - Clearance with Attachment Level	3,456 mm	136.06 "
▶C - Clearance with Attachment Dumped	2,855 mm	112.40 "
▶D - Reach at Maximum Height	390 mm	15.35 "
▶E - Maximum Dump Angle	65 Degree	
▶F - Reach with Attachment on Ground	2,155 mm	84.84 "
▶G - Attachment Rollback Angle	46 Degree	
▶H - Digging Depth Below Grade	187 mm	7.36 "
▶J - Overall Height in Carry Position	1,735 mm	68.31 "
▶L - Depth of Attachment (to back of inner shell)	540 mm	21.26 "
▶M - Height of Attachment	520 mm	20.47 "
▶N - Depth of Attachment (to pivot pin)	760 mm	29.92 "
▶Lift Capacity to Full Height at Pivot Pins	3,749 lbs	

▶Breakout Force at Pivot Pins	5,358 lbs	
▶Buck rollback force at ground line	5,468 lbs (@ 31.5 in. forward of pivot)	
▶Relief Valve Setting (Loader Control Valve)	180 kg/cm2	2,600 psi
▶Rated Flow (Tractor System)	46.5 l/min	12.3 GPM
▶Attachment used for Specification	84 " (QA)	
▶Raise Boom	13.57(1,000rpm),8.75(1,500rpm),6.27(2,000rpm),5.41(2,350rpm)	
▶Lower Boom	5.58(1,000rpm),5.18(1,500rpm),4.24(2,000rpm),3.52(2,350rpm)	
▶Dump Bucket	8.55(1,000rpm),5.75(1,500rpm),4.19(2,000rpm),3.62(2,350rpm)	
▶Retract Bucket	6.36(1,000rpm),4.27(1,500rpm),2.99(2,000rpm),2.52(2,350rpm)	

APPLICATION CHART

FEL	Bucket	DS Series		CK Series				DK Series						LK Series		
		4110	4510	20S	27	30	35	35SE	40SE	45SE	50SE	55	75	90	30 (TLB)	
KL1231	50"															X
KL120	60"			X												
KL130	60"				X	X	X									
KL351	66"							X								
KL401	72"								X	X	X					
KL402	72"	X	X													
KL451	72"									X	X					
KL551	78"											X				
KL901	84"												X	X		